

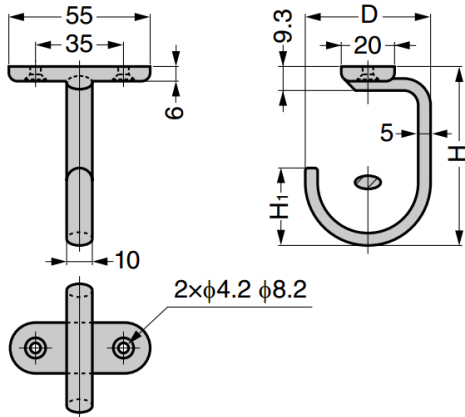
GDS-H Hook

Features

- Can be installed on ceilings

Material

- Stainless steel 303, polished



Parts Included

- Raised countersunk head tapping screw 4×20 (SUS)

Part No.	D	H	H ₁	Load Capacity	
GDS-H-50	50	70	30	98 N	10 kg
GDS-H-60	60	100	40		

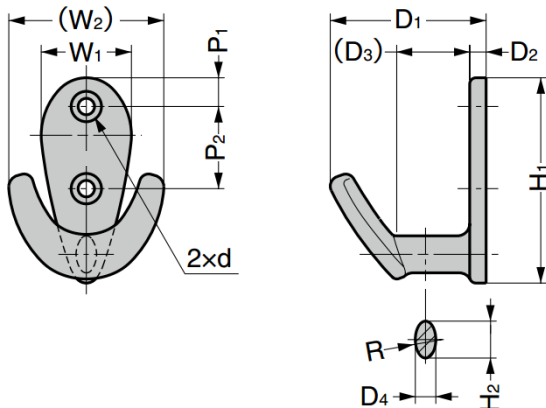
GEU Stainless Steel 316 Hook

Features

- Can hang 3 items at same time
- Two-tip shape provides stable hanging

Material

- Stainless steel 316, polished



Parts Included

- **GEU-50:** Raised countersunk head wood screw 3.5×20 (SUS) (2 pcs)
- **GEU-72:** Raised countersunk head wood screw 4.1×20 (SUS) (2 pcs)

Part No.	H ₁	H ₂	W ₁	W ₂	D ₁	D ₂	D ₃	D ₄	P ₁	P ₂	d	Load Capacity
GEU-50	50	9	22	38	38	4	17.8	5	7	20	ø4, ø7.4	196 N 20 kg
GEU-72	72	14	32	56	52	6	23	8	10	34	ø4.6, ø8.6	294 N 30 kg